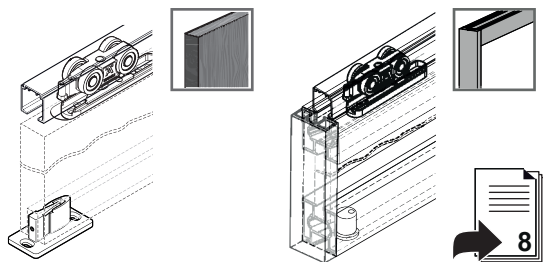








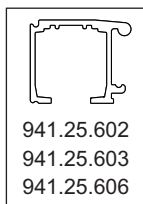
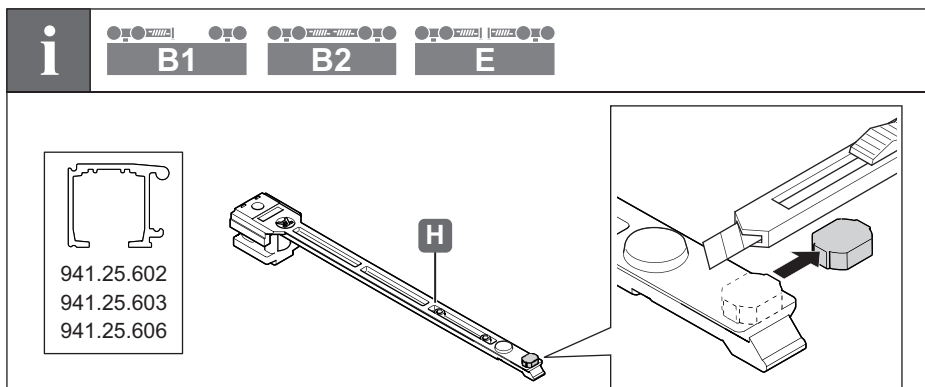
Slido D-Line11

940.42.076	940.83.016
940.42.077	940.83.017
940.42.078	941.02.046
940.42.079	941.02.047
940.83.014	941.02.048
940.83.015	941.02.049

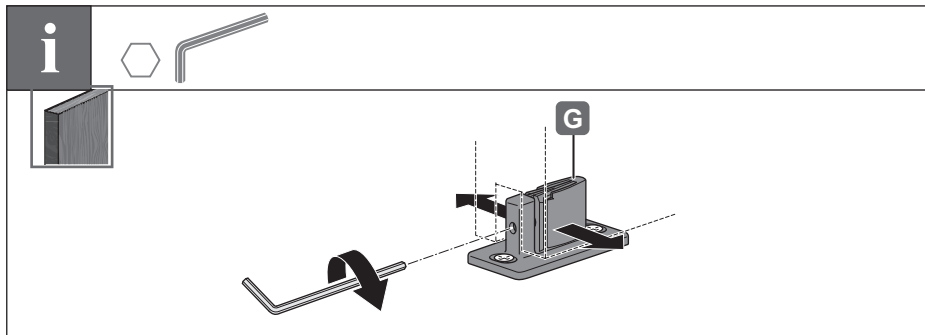


	 A	 B1	 B2	 E
50C	940.42.076	940.42.077	940.42.078	940.42.079
80C	940.83.014	940.83.015	940.83.016	940.83.017
120C	941.02.046	941.02.047	941.02.048	941.02.049

732.29.042



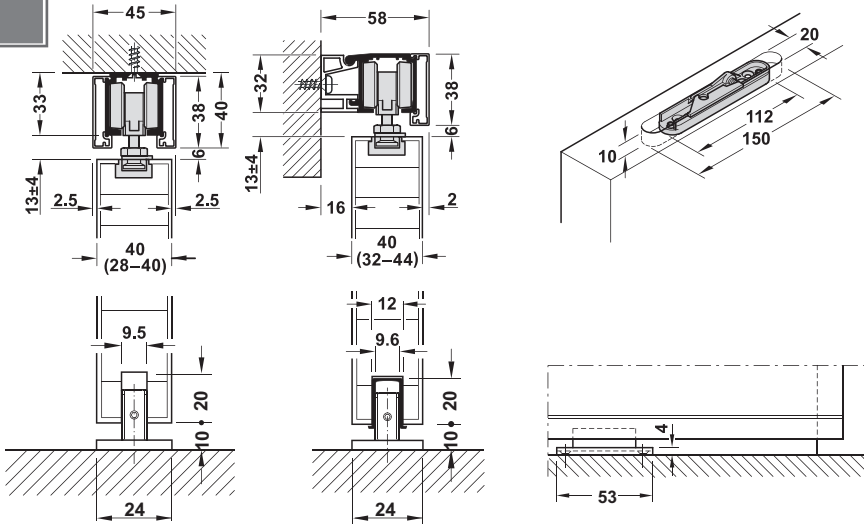
[WS472]



HDE 08.04.2026

i

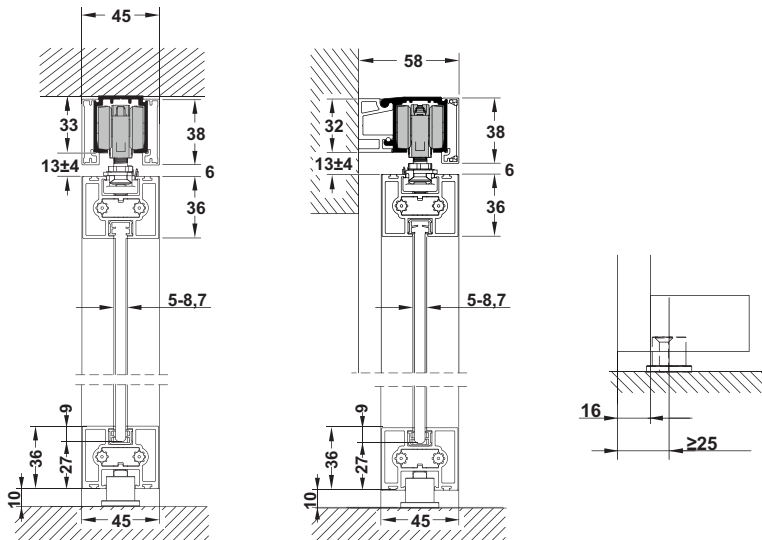
mm



732.29.042

i

mm

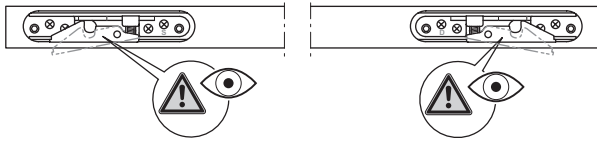


[WS472]

HDE 08.04.2026

i

„mm“



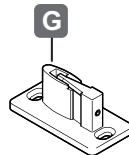
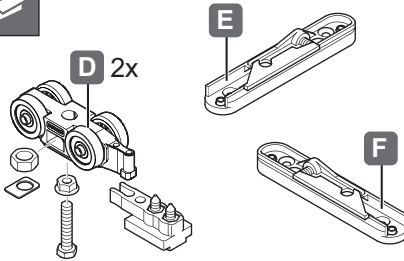
i

A

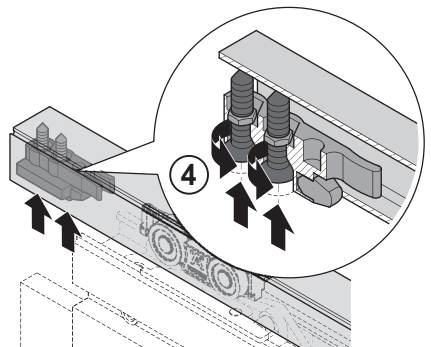
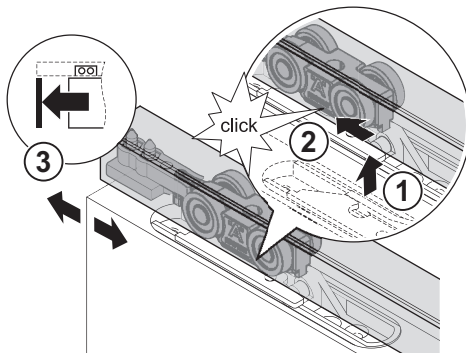
„mm“



732.29.042

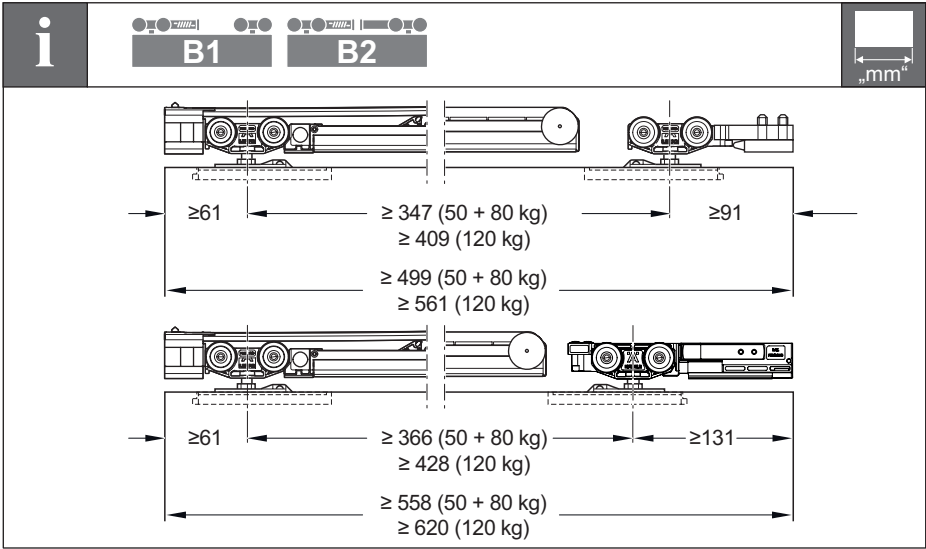


1

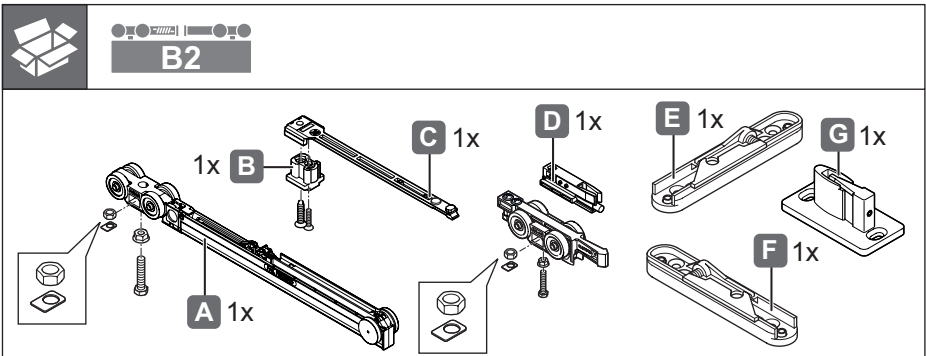
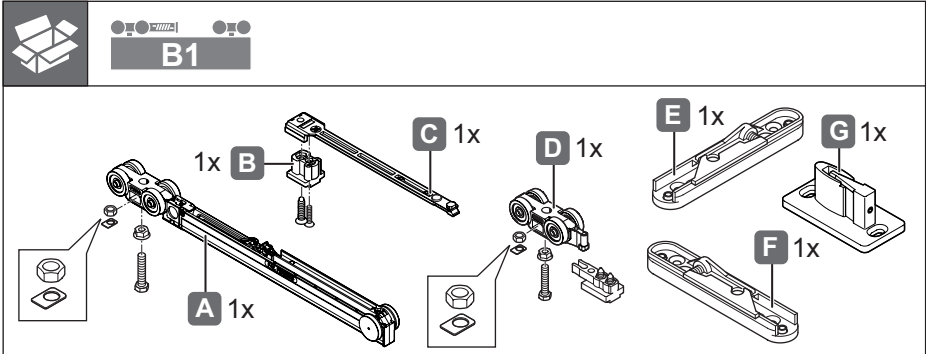


[WS472]

HDE 08.04.2026

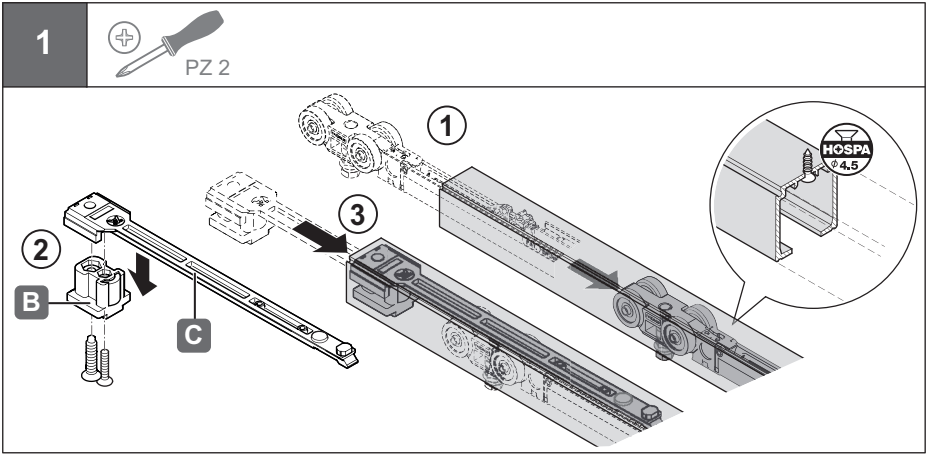


732.29.042

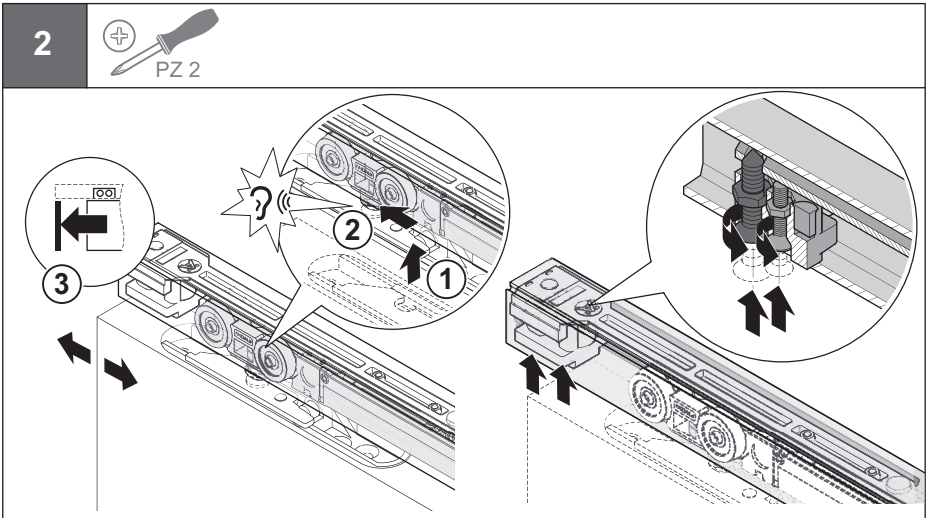


[WS472]

HDE 08.04.2026

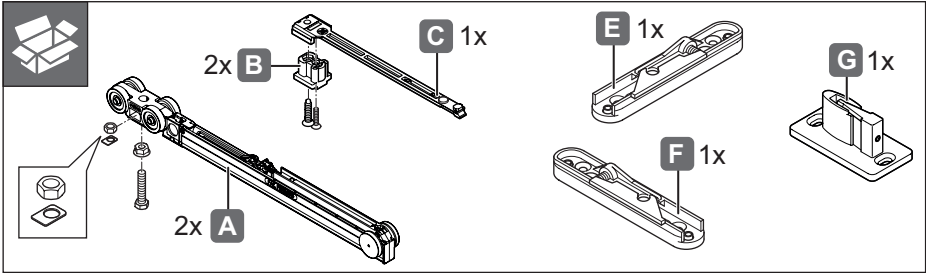
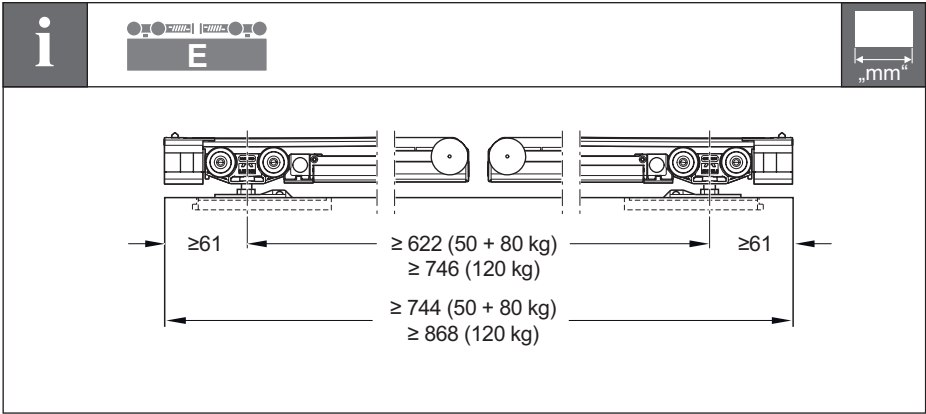


732.29.042

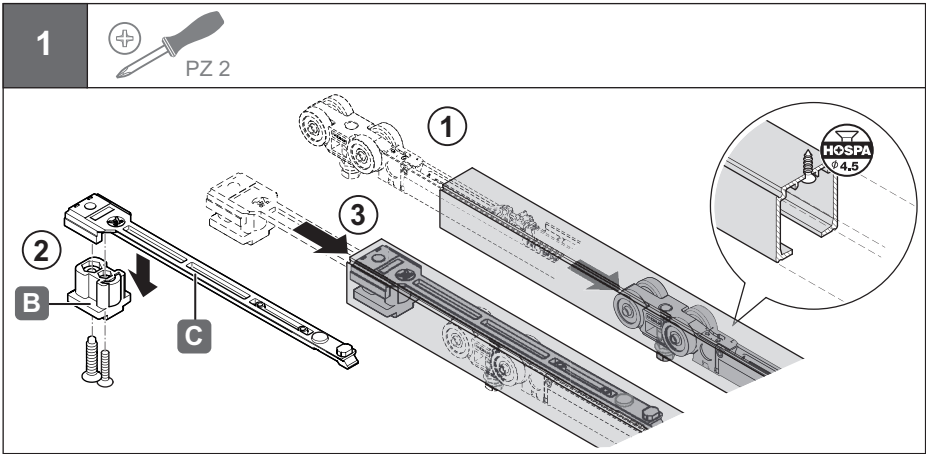


[WS472]

HDE 08.04.2026

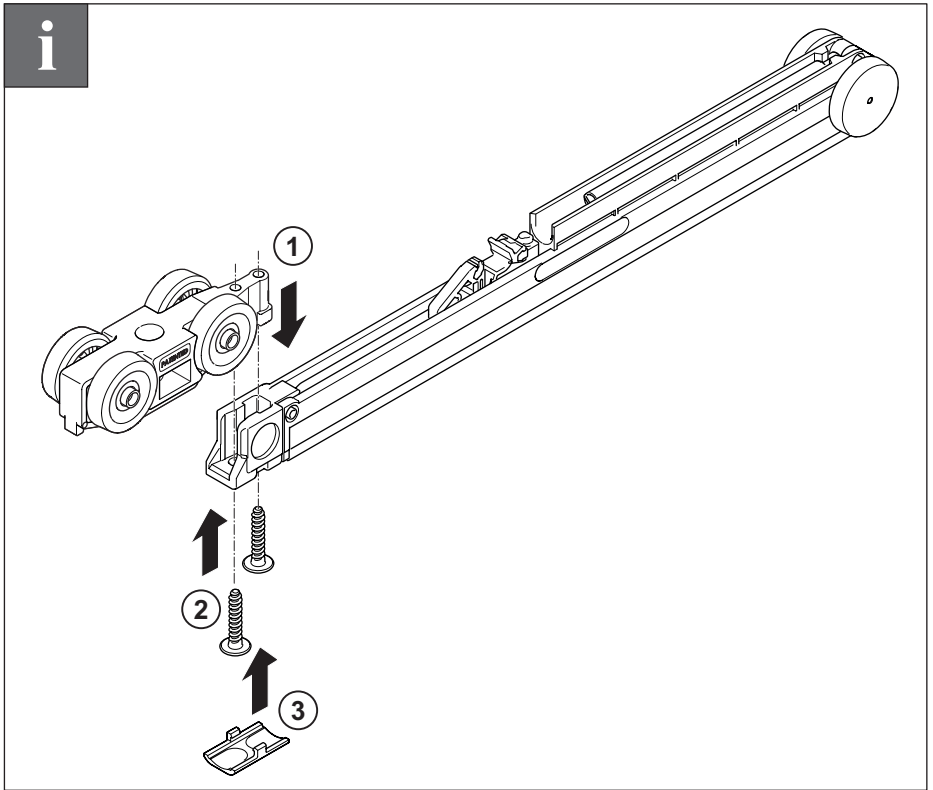
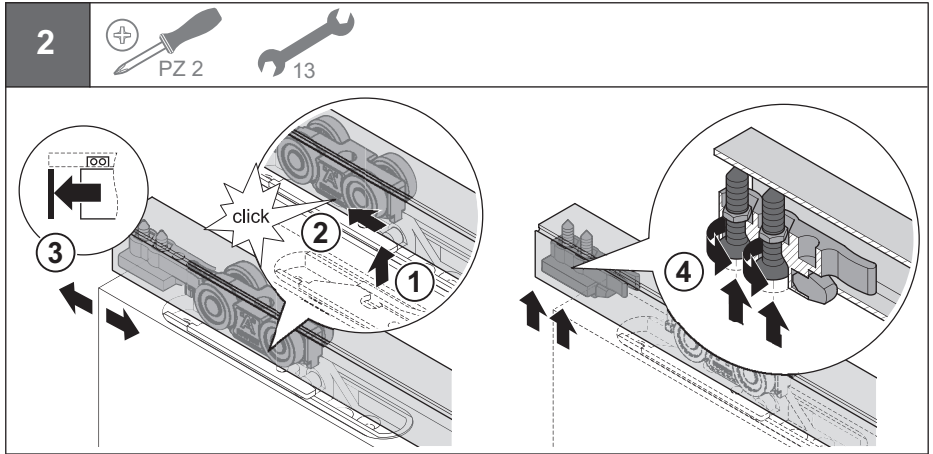


732.29.042



[WS472]

HDE 08.04.2026



732.29.042

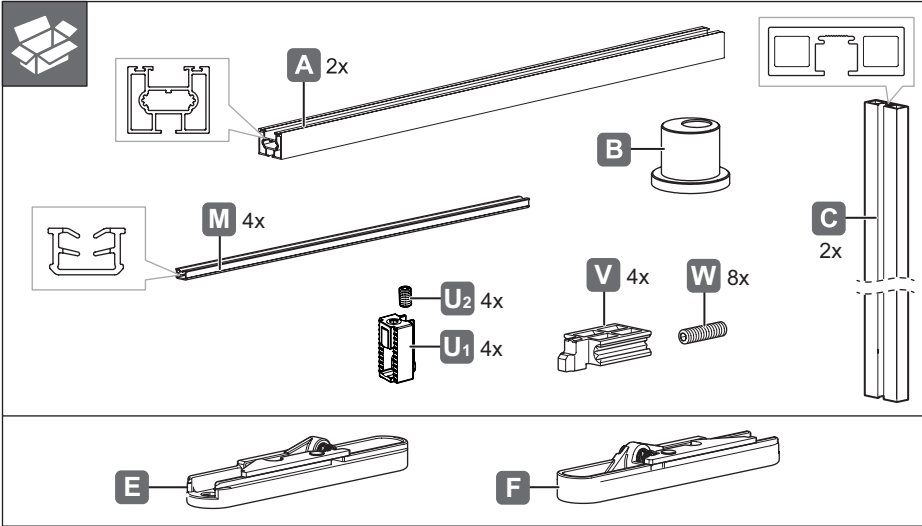
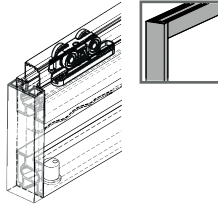
[WS472]

HDE 08.04.2026

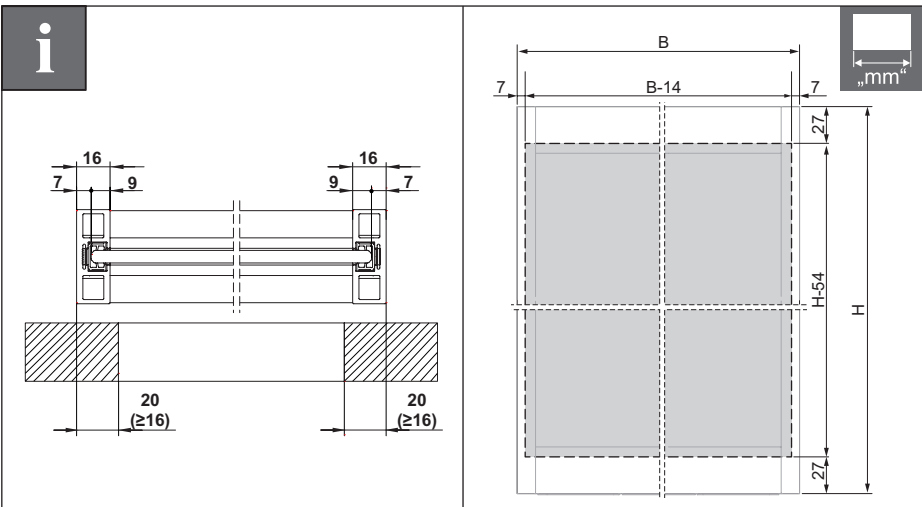


Slido D-Line11 50C/80C

940.43.703 940.43.706
 940.43.704
 940.43.705

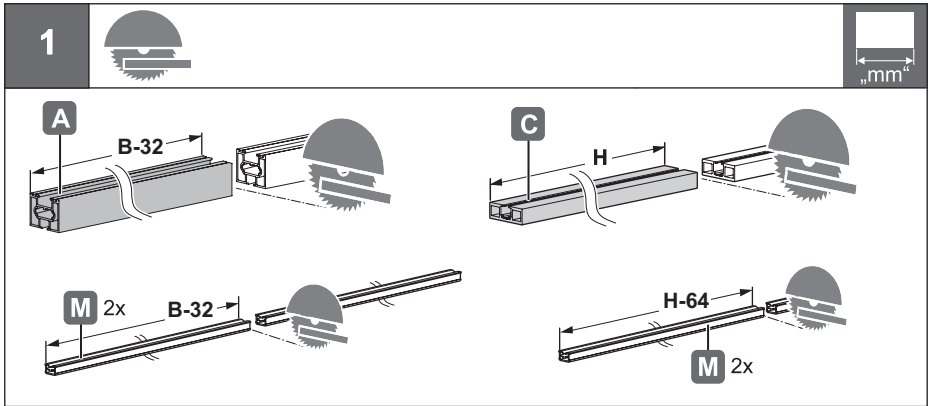
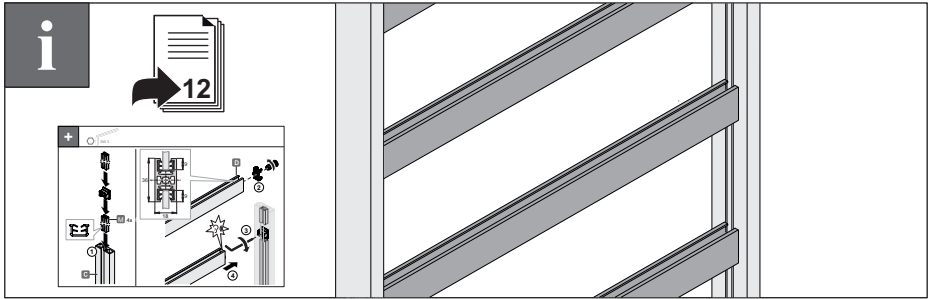


732.29.042

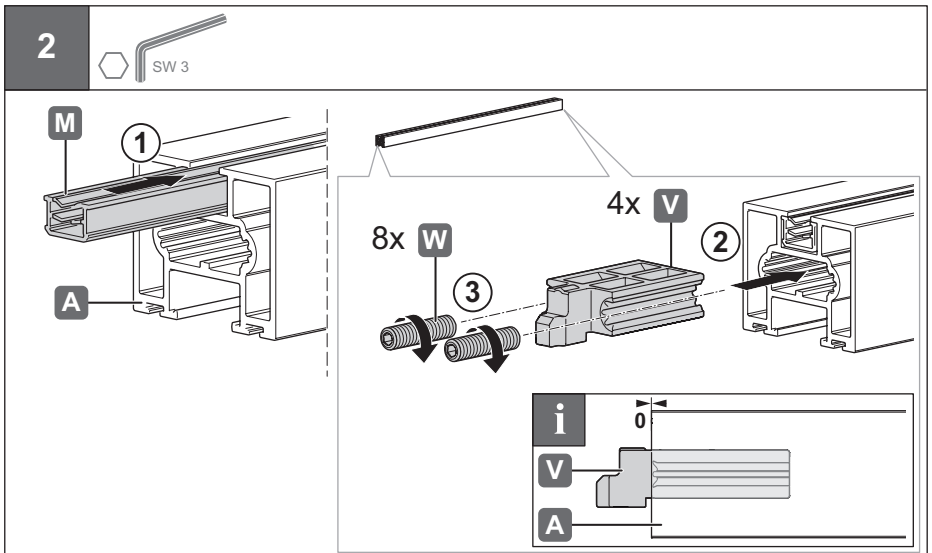


[WS472]

HDE 08.04.2026



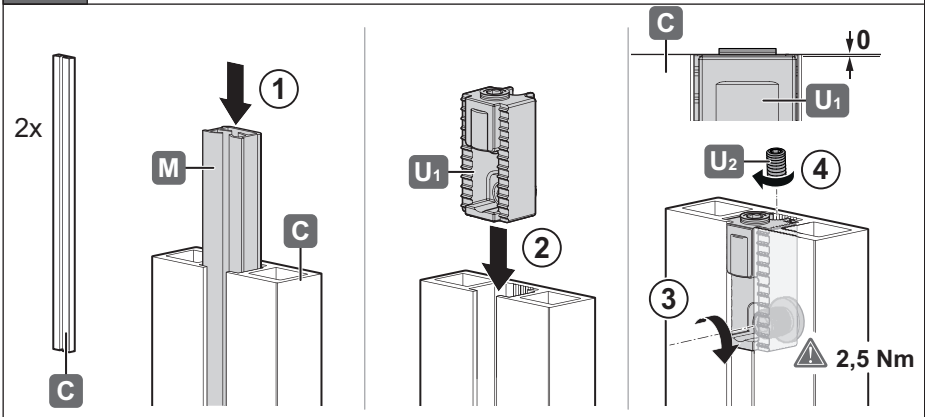
732.29.042



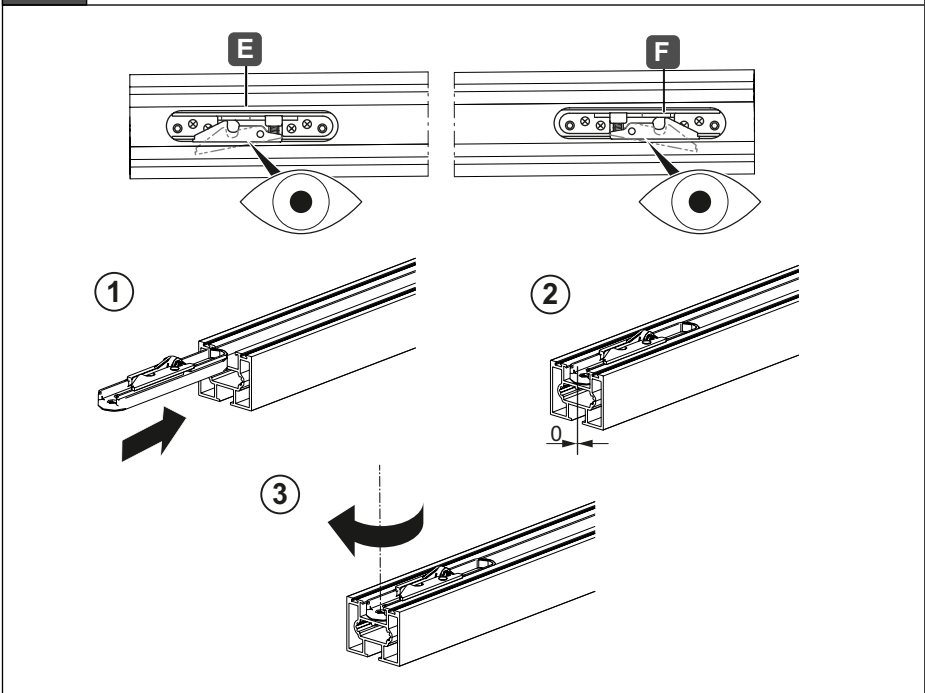
[MS472]

HDE 08.04.2026

3



4

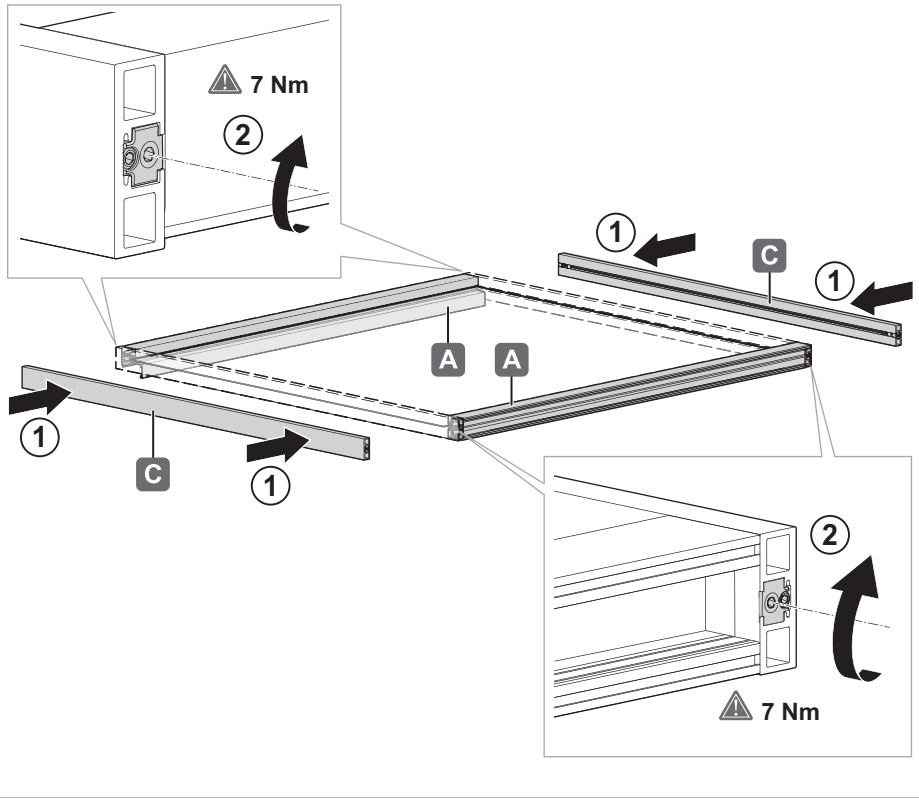


732.29.042

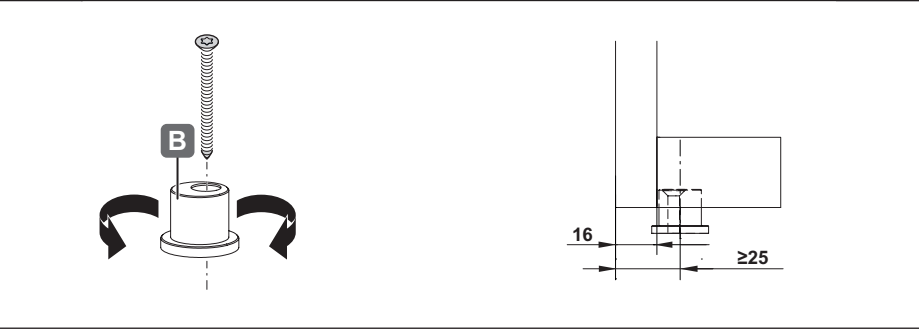
[WS472]

HDE 08.04.2026

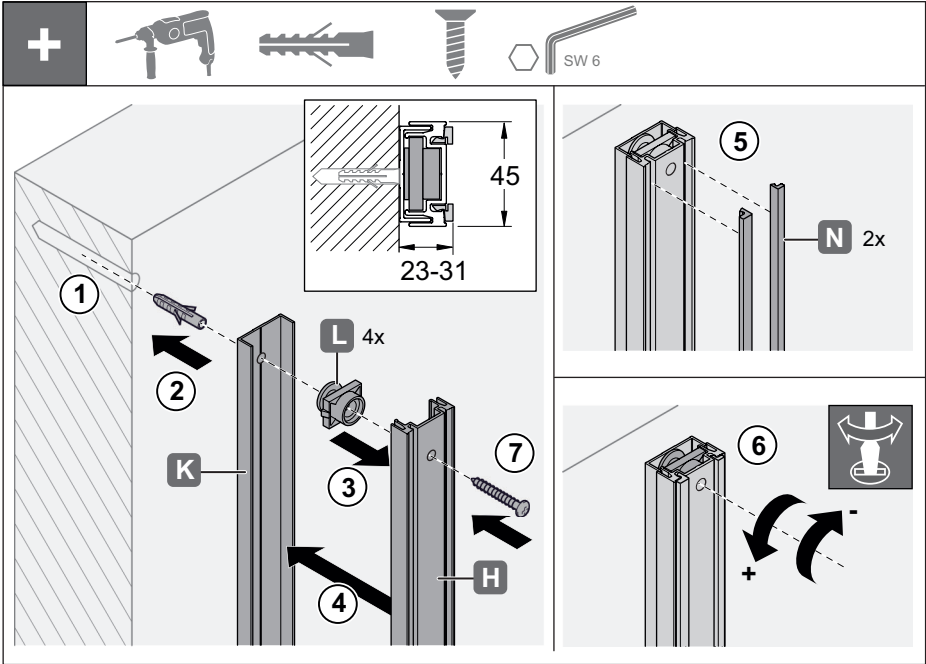
5



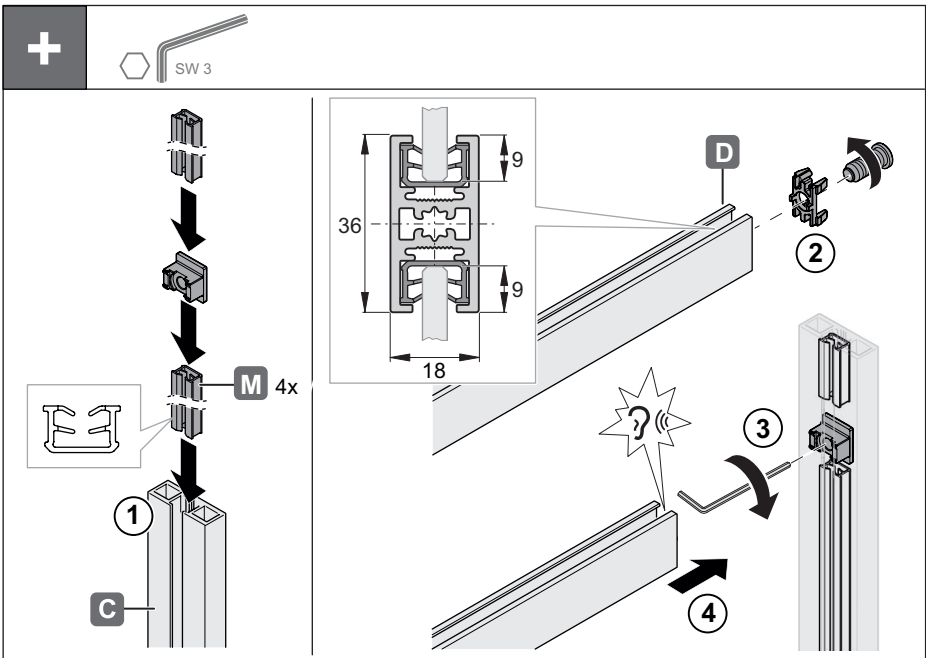
i



HDE 08.04.2026



732.29.042



HDE 08.04.2026