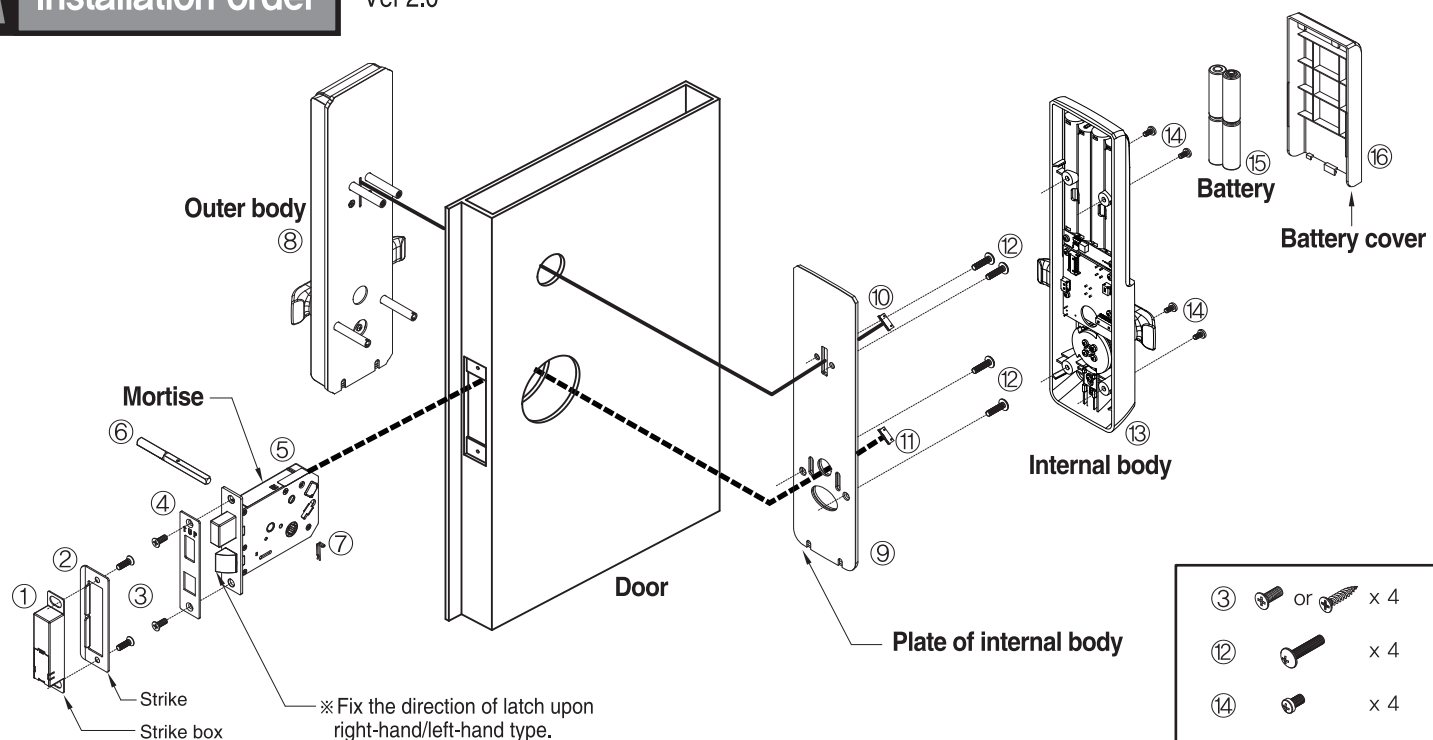


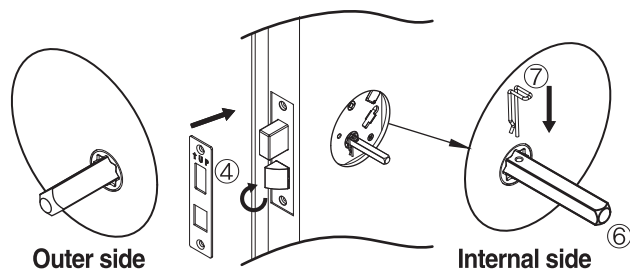
⚠ Caution
 For the inner part, you can match the end line of the door and the folding line to take the position. However, for the outer part, they might not match.

A Installation order

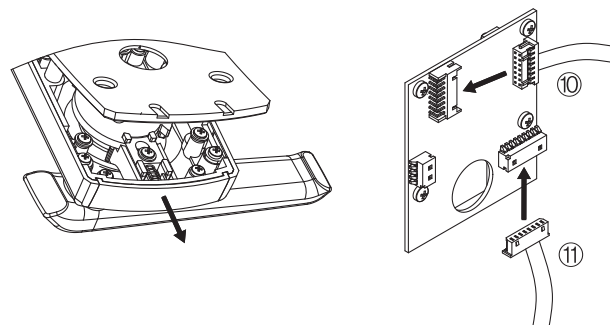
Ver 2.0



1. Remove or perforate the installed door lock.
2. Fold the line of the drawings 90 degrees to the right or left upon the direction of the door.
3. Perforate holes with the size on the drawings. ③ ⑥
4. For indoor part, you can perforate the point after matching the edge line and the folding line. But for the outdoor part, it might not be matched due to door frame cover.
5. Fix the latch upon the direction of right-hand or left-hand door. ④
6. Assemble the latch of mortise toward the bottom so the connector cable of mortise comes out inside of the door. ⑪
(Fix mortise with ③ screws.)



9. Assemble the handle of outer body upon the direction of the left-hand or right-hand door and then, fix outer body on the plate of internal body with ⑫ screws.
10. Assemble the handle of the internal body upon the direction of the door (right-hand or left-hand) and then, insert the connector carefully to avoid cable damage.
※ Make sure that the cable of outer body and that of mortise are not pressured by the internal body.
11. Fix the internal body with ⑭ screws.
12. Insert battery in the right direction.
13. Before use, make sure if the installation is completed according to the operation condition.
※ Check the operation condition with the door open.



7. Check upper and bottom side of strike box, insert them into the groove, and fix ③ screws.
8. Place the handle shaft ⑥ (Outer side : ◊ , Internal side : ◻) to the mortise, and use shaft spring ⑦ to fix it inside of the door.